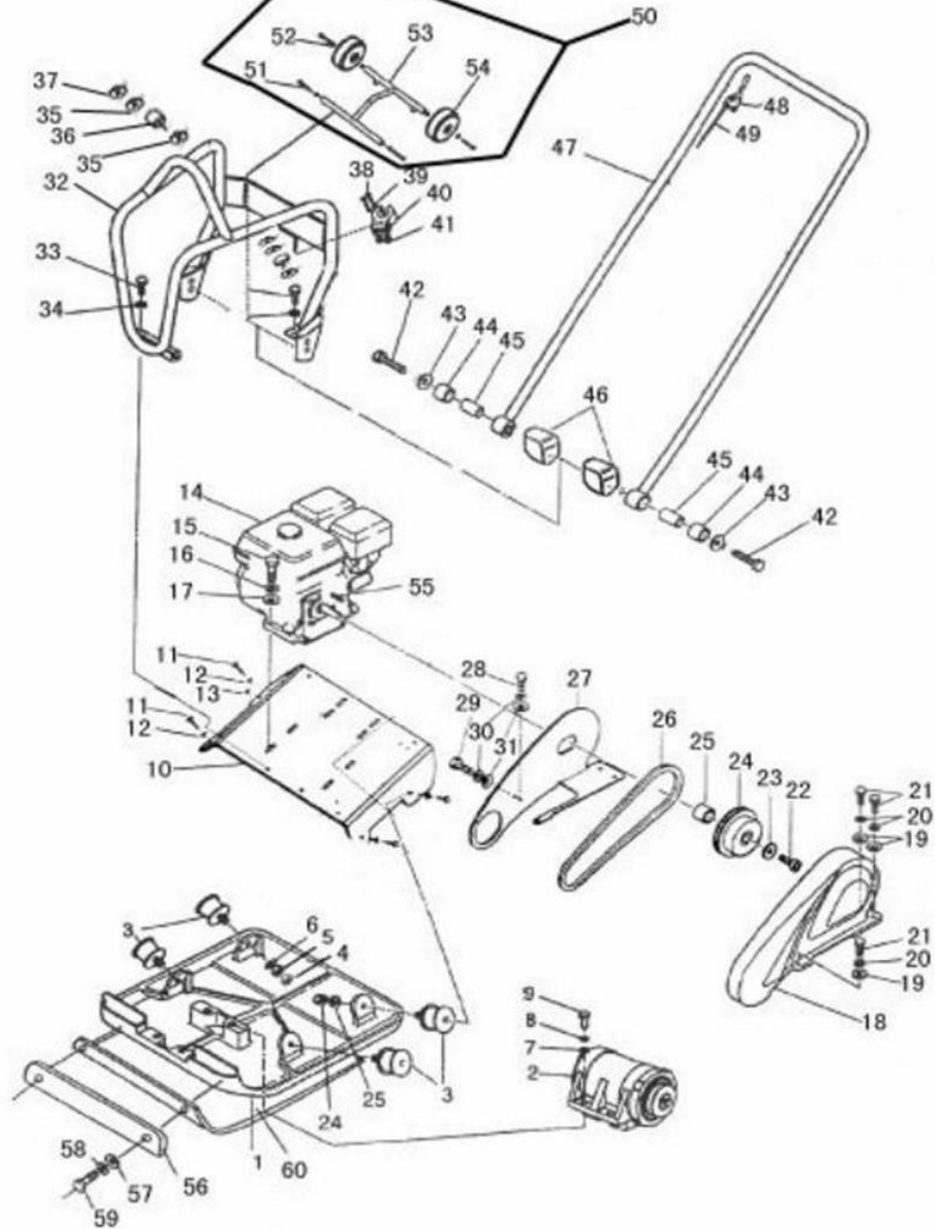


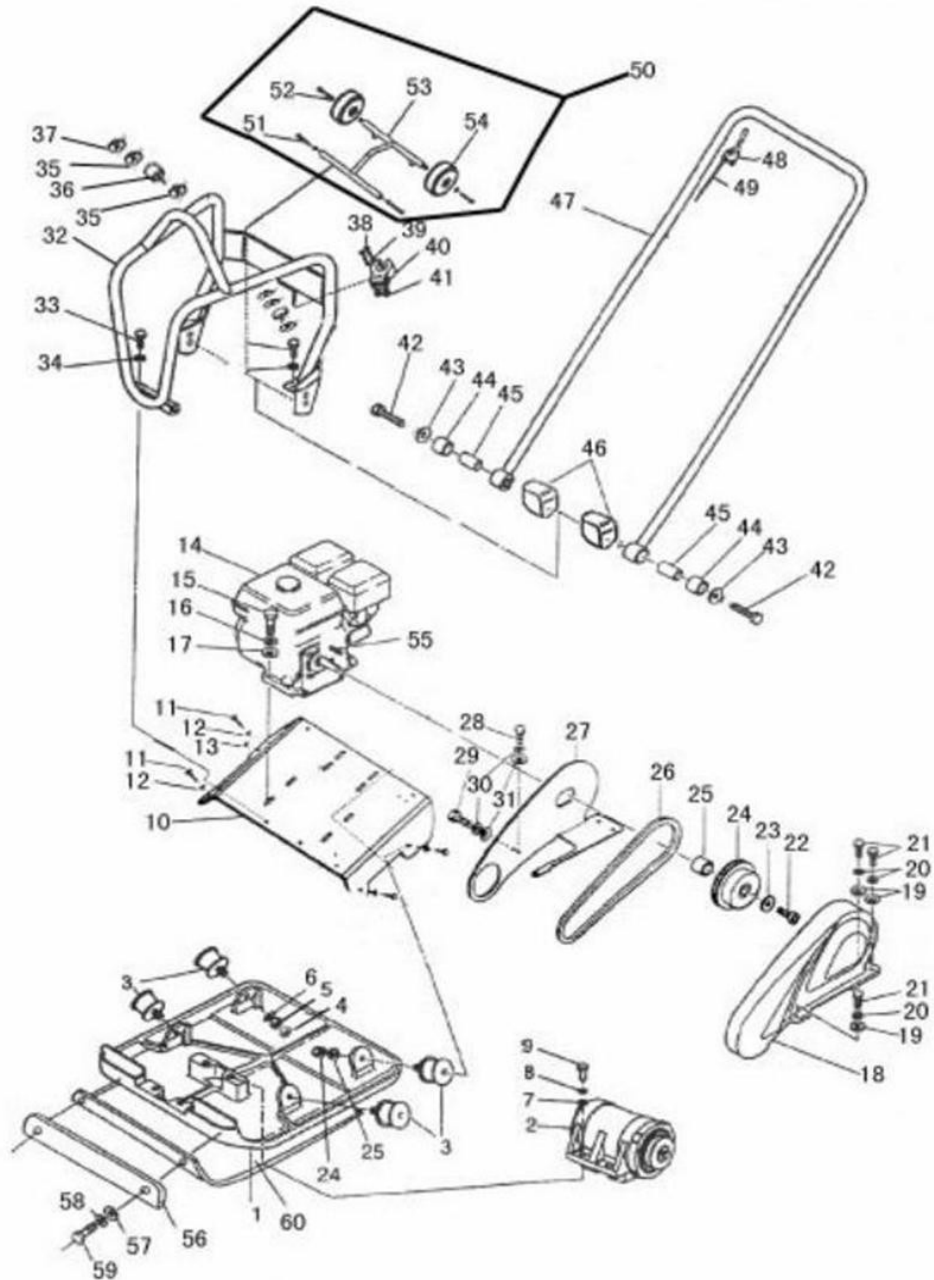
BISONTE PC90 SPARE PARTS LIST PAG.1/4

Major components		
PART NO.	DESCRIPTION	Price Euro without VAT
BZPC90-001	Base plate	
BZPC90-002	Vibrator assy	
BZPC90-003	Shock absorber	
BZPC90-004	Nut M10	
BZPC90-005	Spring washer \varnothing 10	
BZPC90-006	Washer \varnothing 10	
BZPC90-007	Washer \varnothing 15	
BZPC90-008	Spring washer \varnothing 15	
BZPC90-009	Hexagonal bolt M16*55	
BZPC90-010	Upper plate	
BZPC90-011	Hexagonal bolt M10*30	
BZPC90-012	Spring washer \varnothing 10	
BZPC90-013	Washer \varnothing 10	
BZPC90-014	Engine	
BZPC90-015	Hexagonal bolt M8*60	
BZPC90-016	Washer \varnothing 8	
BZPC90-017	Locknut M8	
BZPC90-018	Belt cover	
BZPC90-019	Washer \varnothing 8	
BZPC90-020	Spring washer \varnothing 8	
BZPC90-021	Socket head bolt M8*35	
BZPC90-022	Hexagonal bolt M8*30	
BZPC90-023	Washer \varnothing 8、spring washer \varnothing 8	
BZPC90-024	Clutch assembly	
BZPC90-025	Bushing	



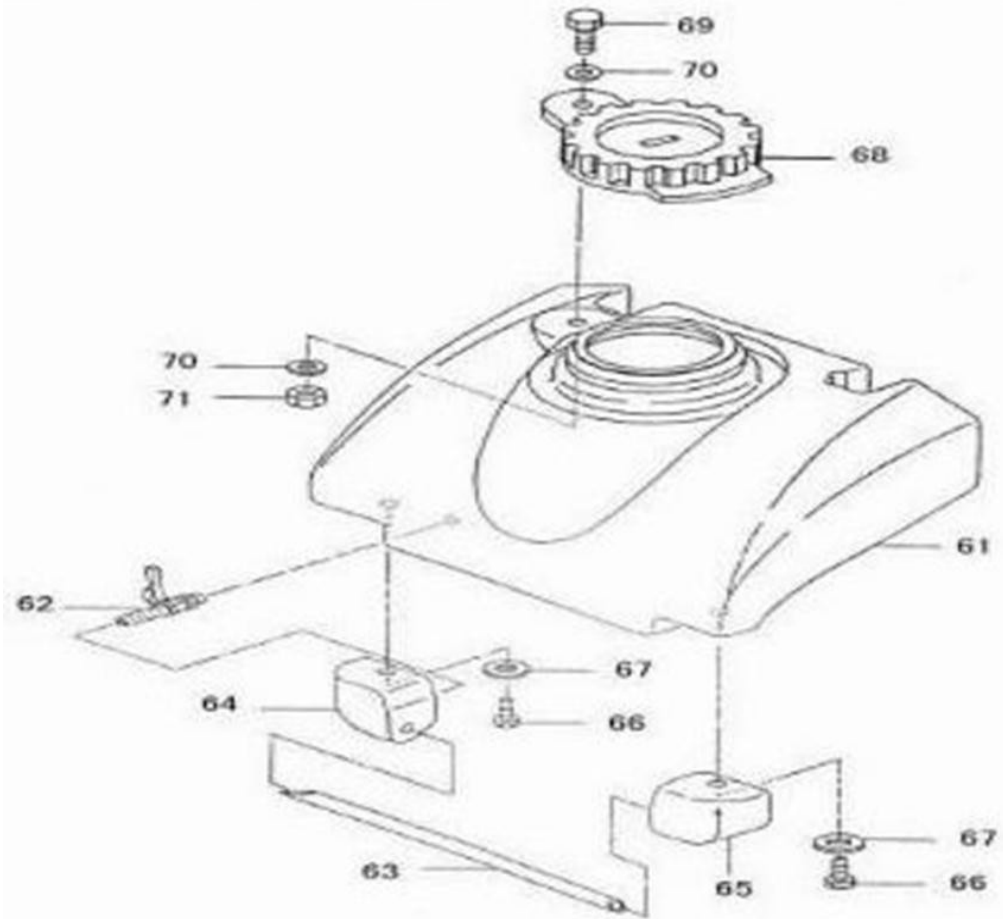
BISONTE PC90 SPARE PARTS LIST PAG.2/4

Major components		
PART NO.	DESCRIPTION	Price Euro without VAT
BZPC90-026	V-belt	
BZPC90-027	Dust-proof plate	
BZPC90-028	Socket head bolt M8*25	
BZPC90-029	Socket head bolt M8*25	
BZPC90-030	Spring washer \varnothing 8	
BZPC90-031	Washer \varnothing 8	
BZPC90-032	Frame	
BZPC90-033	Socket head bolt M12*60	
BZPC90-034	Washer \varnothing 8、spring washer \varnothing 8	
BZPC90-035	Washer \varnothing 10	
BZPC90-036	Rubber	
BZPC90-037	Spingdle \varnothing 10	
BZPC90-038	Hexagonal bolt M6*40	
BZPC90-039	Washer with 2 holes \varnothing 6	
BZPC90-040	Rubber clip (Optional)	
BZPC90-041	Nut M6	
BZPC90-042	Hexagonal bolt M12*60	
BZPC90-043	Washer \varnothing 12	
BZPC90-044	Rubber	
BZPC90-045	Collar	
BZPC90-046	shock absorber for handle	
BZPC90-047	Straight handle assy	
	Foldable handle assy(Optional)	
BZPC90-048	Throttle lever	
BZPC90-049	Throttle cable	
BZPC90-050	Wheel assy (Optional)	



BISONTE PC90 SPARE PARTS LIST PAG.3/4

Major components		
PART NO.	DESCRIPTION	Price Euro without VAT
BZPC90-051	Fit boltsM10*35	
BZPC90-052	Spingdle \varnothing 17	
BZPC90-053	Wheel bracket (Optional)	
BZPC90-054	Wheel (Optional)	
BZPC90-055	Flat key	
BZPC90-056	Fixing bar (Optional)	
BZPC90-057	Washer \varnothing 8 (Optional)	
BZPC90-058	Springwasher \varnothing 8 (Optional)	
BZPC90-059	Hexagonal boltM8 (Optional)	
BZPC90-060	Rubber mat (Optional)	
BZPC90-061	Water tank	
BZPC90-062	Water valve	
BZPC90-063	water pipe	
BZPC90-064	Water tank rubber block-1	
BZPC90-065	Water tank rubber block-2	
BZPC90-066	Socket head bolt M8*20	
BZPC90-067	Washer \varnothing 8	
BZPC90-068	Water tank cap	
BZPC90-069	Socket head bolt M8*25	
BZPC90-070	Washer \varnothing 8	
BZPC90-071	Lock nut M8	



BISONTE PC90 SPARE PARTS LIST PAG.4/4

Major components of vibrator assy		
PART NO.	DESCRIPTION	Price Euro without VAT
BZPC90-026-01	Paper cushion	
BZPC90-026-02	Case cover/pulley	
BZPC90-026-03	Washer M8	
BZPC90-026-04	Hexagonal bolt M8*25	
BZPC90-026-05	Cover seal, vib.	
BZPC90-026-06	Ecc. Rotaryshaft	
BZPC90-026-07	Flat key 8*7*16	
BZPC90-026-08	Pulley, driven	
BZPC90-026-09	Washer \varnothing 10	
BZPC90-026-10	Spring washer \varnothing 10	
BZPC90-026-11	Hexagonal bolt M10*25	
BZPC90-026-12	Oil seal	
BZPC90-026-13	Case cover/shut-off	
BZPC90-026-14	Bearing 6211	
BZPC90-026-15	Vibrating case	
BZPC90-026-16	Hexagonal bolt	
BZPC90-026-17	Aluminum washer \varnothing 12.5	

